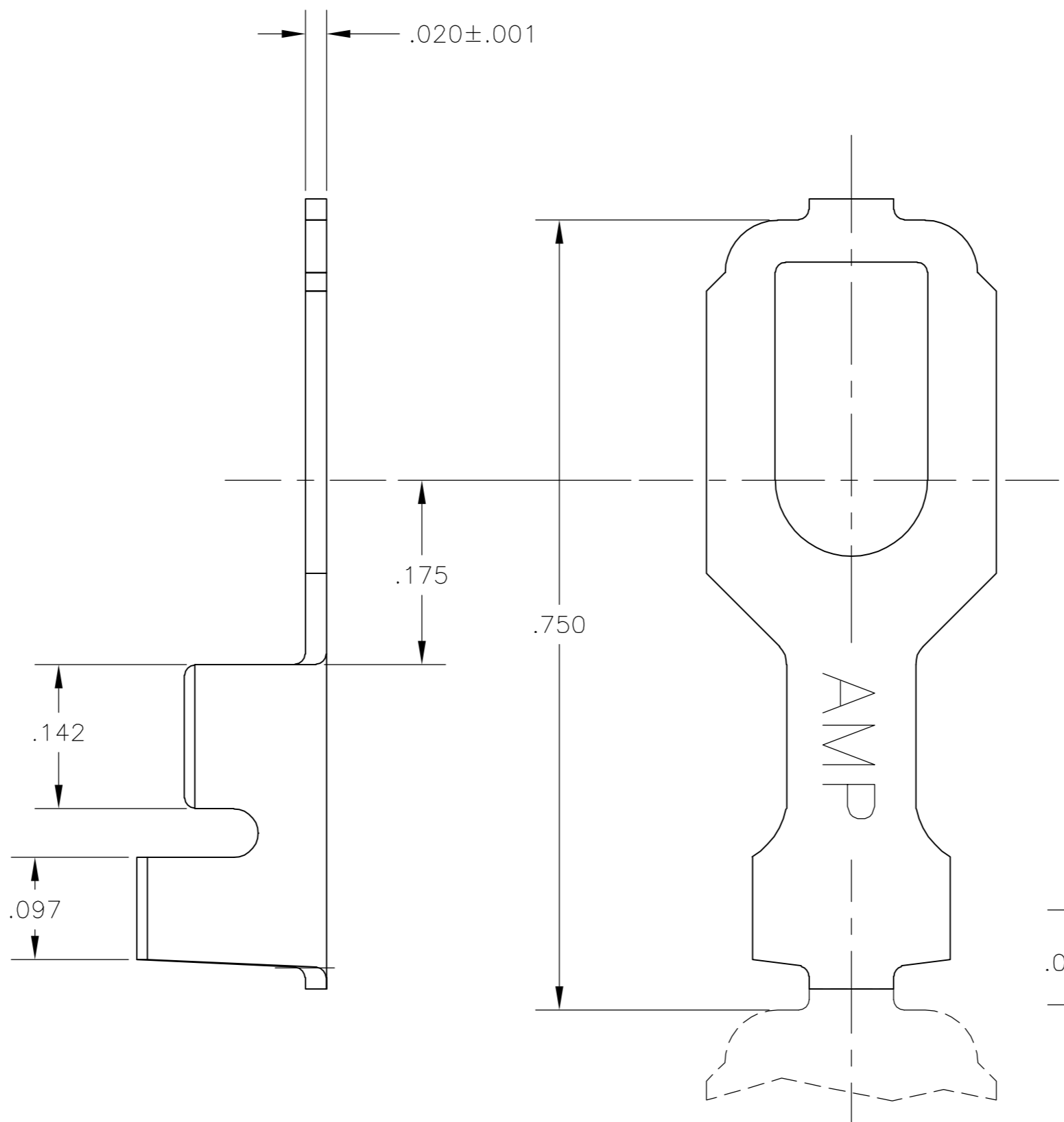
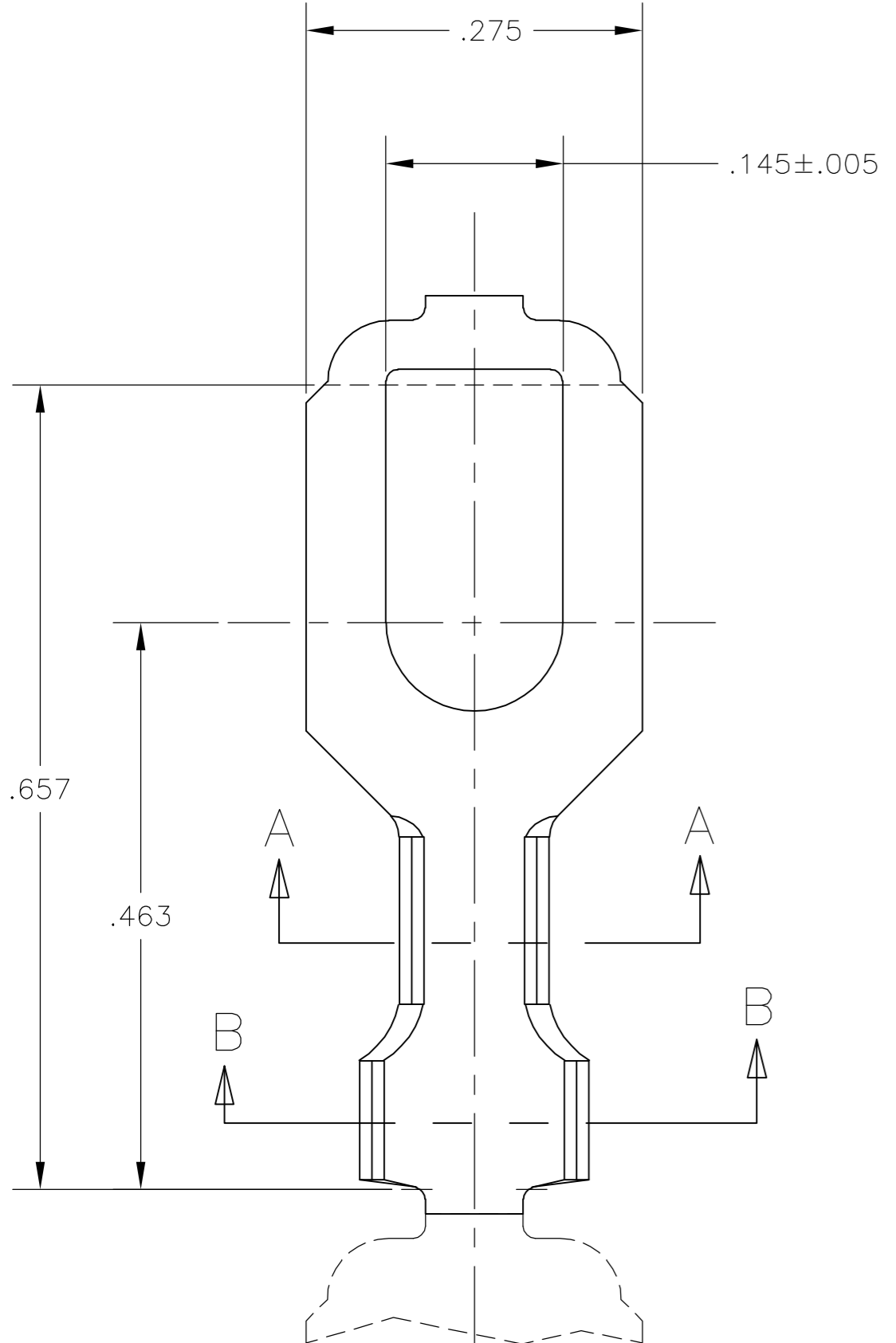
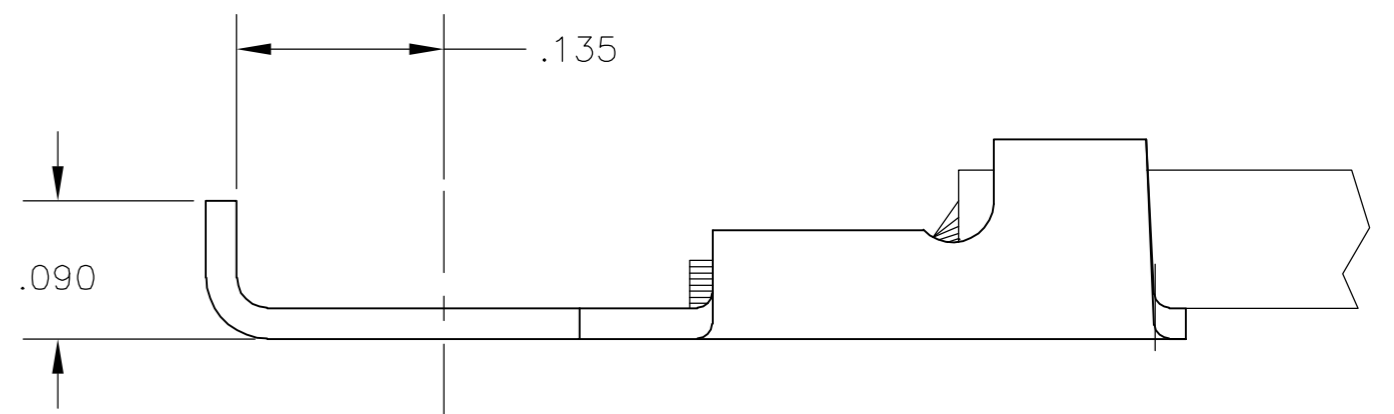


THIS DRAWING IS UNPUBLISHED. RELEASED FOR PUBLICATION
 © COPYRIGHT BY TYCO ELECTRONICS CORPORATION. ALL RIGHTS RESERVED.

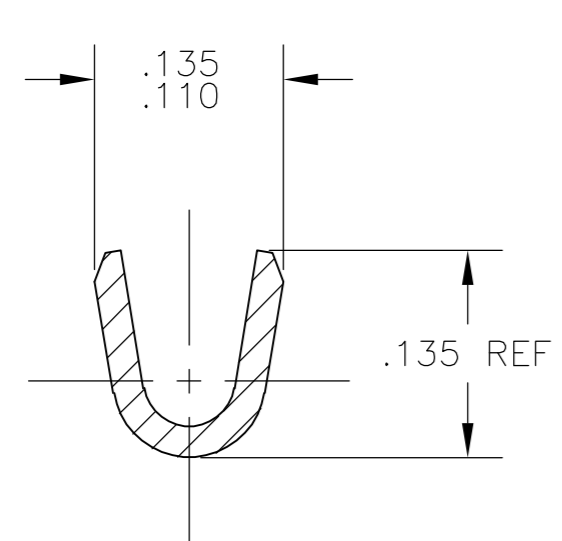
LOC	DIST	REVISIONS			
P	LTR	DESCRIPTION	DATE	DWN	APVD
AF	50	B	REVISED PER OG3A-1003-04	04JAN05	MF DD



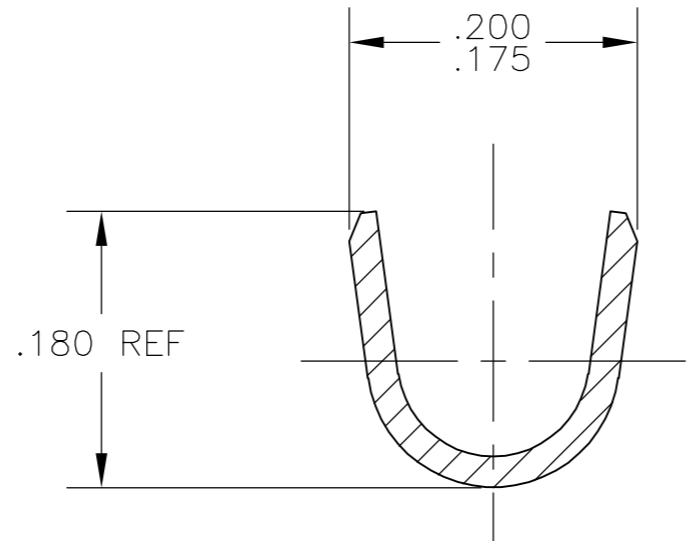
- 1 CONTINUOUS STRIP ON REELS.
 - 2 WIRE SIZE: #20-#16 AWG.
 - 3 INSULATION RANGE: .090-.130 DIA.
- ⚠ SUFFIX LETTER MUST BE USED ONLY WHEN ORDERING APPLICATOR TOOLING.



FLANGED IN APPLICATOR ⚠



SECTION A-A



SECTION B-B

THIS DRAWING IS A CONTROLLED DOCUMENT.		DWN MICHAEL S. FEHER 20DEC2004	Tyco Electronics Corporation Harrisburg, Pa 17105-3608	
DIMENSIONS: INCHES		CHK DONALD F. DECKER 04JAN2005	NAME TERMINAL, SPADE 6 STUD SIZE	
TOLERANCES UNLESS OTHERWISE SPECIFIED: 0 PLC ± - 1 PLC ± - 2 PLC ± - 3 PLC ± .010 4 PLC ± - ANGLES ± 1°		APVD DONALD F. DECKER 04JAN2005	SIZE A2	RESTRICTED TO -
MATERIAL 082 BRASS		FINISH .000080 MIN TIN	CAGE CODE 00779	DRAWING NO C=40763
CUSTOMER DRAWING		SCALE 8:1		SHEET 1 OF 1

40763